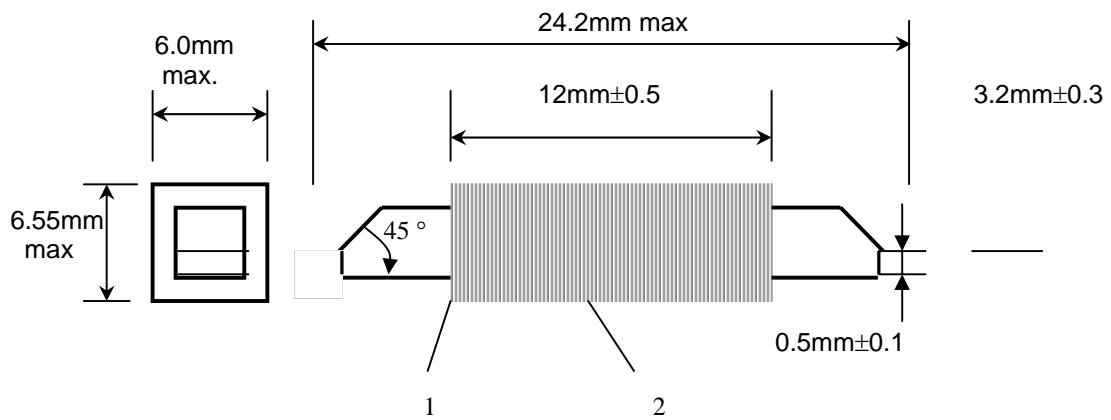


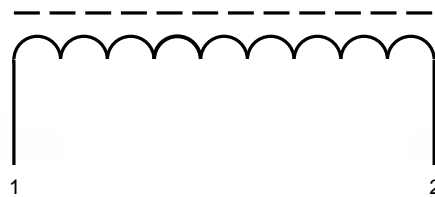
DESCRIPTION

The CMA-MF-24 is a 24mm length antenna designed for 77.5KHz single frequency watch application.

DIMENSION



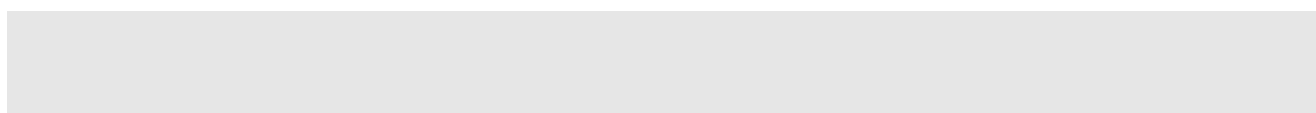
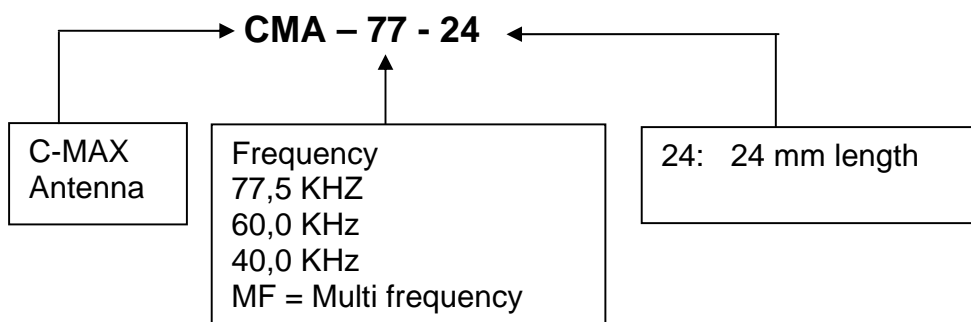
CIRCUIT



SPECIFICATION

FOR CORE			
1. Material	3.2mm x 3.65mm x 24.2mm max. (Width x Height x Length) Ferrite		
FOR WINDING			
	1-2	Testing condition	Measurement Instrument
1. Material	EL6E	0,16 mm (2LockY3)	
2. No. of Turns	159 turns		
3. Inductance	590µH ± 5%	77,5kHz	HP-4285
4. Unloaded Q	60 min.	77,5kHz	HP-4285
5. R dc	3 ohm max	77,5 kHz	HP-34420A
6. Winding Type	Multi-core wires overlapping		
7. Lead	Length	25 ± 3mm	
	Colour	Red or gold	

Ordering information



Disclaimer of Warranty

Information furnished is believed to be accurate and reliable. However C-MAX assumes no responsibility, neither for the consequences of use of such information nor for any infringement of patents or other rights of third parties, which may result from its use. No license is granted by implication or otherwise under any patent or patent rights of C-Max. Specifications mentioned in this publication are subject to change without notice. This publication supersedes and replaces all information previously supplied. C-MAX products are not authorized for use as critical components in life support devices without express written approval of C-MAX.

Note

It is not given warranty that the declared circuits, devices, facilities, components, assembly groups or treatments included herein are free from legal claims of third parties.

The declared data are serving only to description of product. They are not guaranteed properties as defined by law. The examples are given without obligation and cannot given rise to any liability.

Reprinting this data sheet - or parts of it - is only allowed with a license of the publisher.

C-MAX reserves the right to make changes on this specification without notice at any time.

C-MAX Time Solutions GmbH

Carl-Zeiss-Str. 13
74078 Heilbronn

Tel.: +49-7066-900400

Fax: +49-7066-9004029

e-mail: contact@c-max-time.com

Data sheets can also be retrieved from our Internet homepage: www.c-max-time.com

SPEC No.	Revision	State	C-MAX printed	Version	Page
CMA-MF-24	A.1	21.11.06	14.11.07	English	3 of 3